



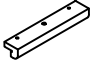
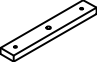



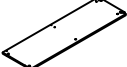



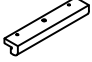
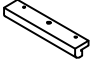
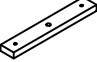








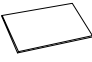
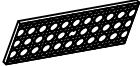




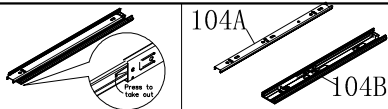
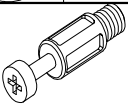

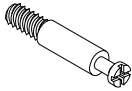

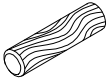


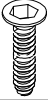

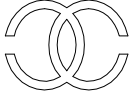
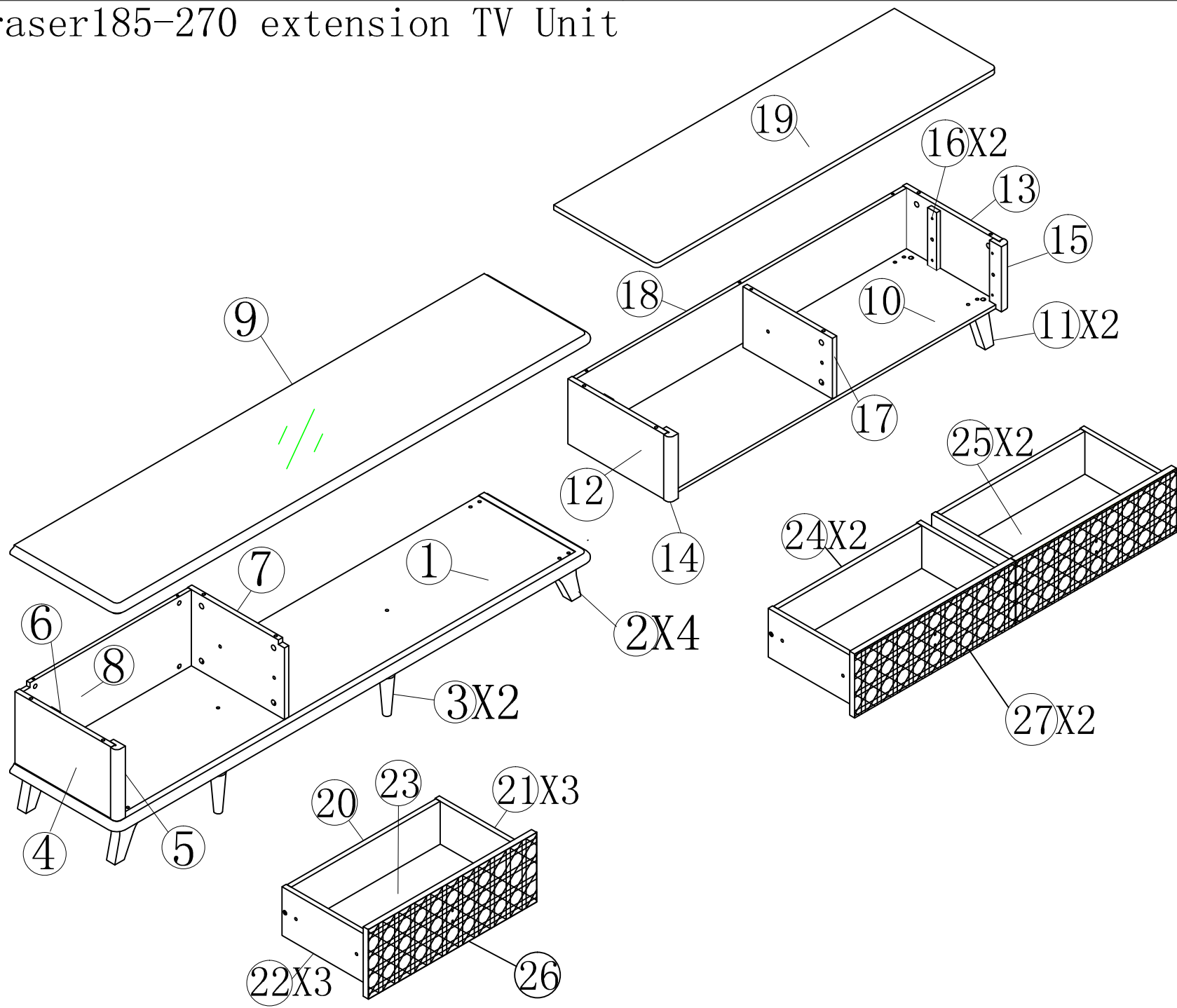


PART NO.	PART PHOTOGRAPH	PART NAME	QUANTITY
1			1
2			4
3			2
4			1
5			1
6			1
7			1
8			2
9			2
10			1
11			2
12			1
13			1
14			1
15			1
16			2
17			1
18			1
19			1
20			1
21			3
22			3
23			1
24			2
25			2
26			1
27			2

HARDWARE NO.	PHOTOGRAPH OF PART	DESCRIPTION/SIZE	NO OF PCS
101		Φ 7X60mm	10
102		Φ 4X25mm	12
103		Φ 4X12mm	30
104		L=300	3
105		L=40	12
106		Φ 15	12
107		L=28	28
108		Φ 12	28
109		Φ 6X30	25
110		Φ 10	6
111		Φ 5X50	6
112		Φ 7X40mm	4
113		M4X25mm	6
114		CC32	3

fraser185-270 extension TV Unit



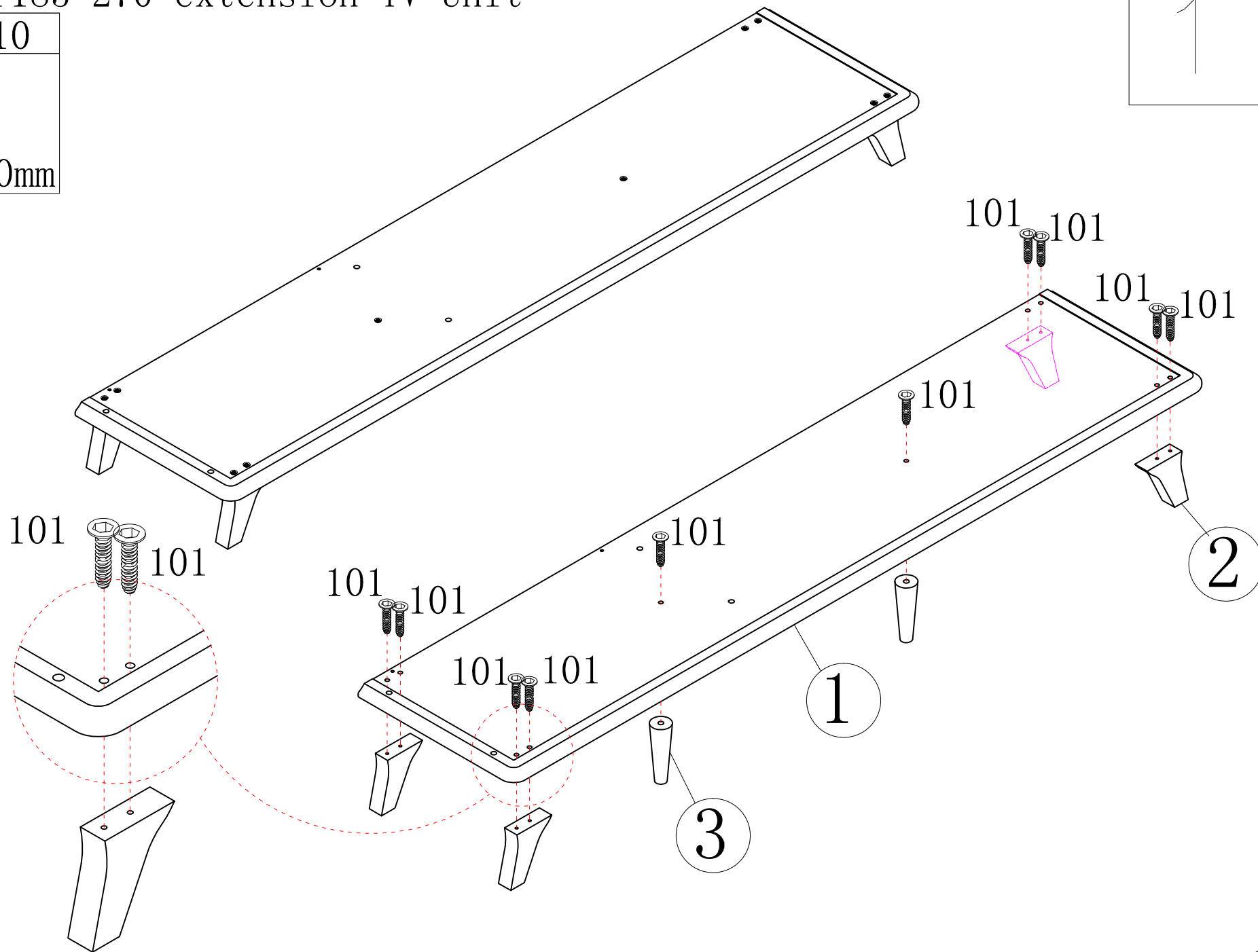
fraser185-270 extension TV Unit

101X10



Φ 7X60mm

1



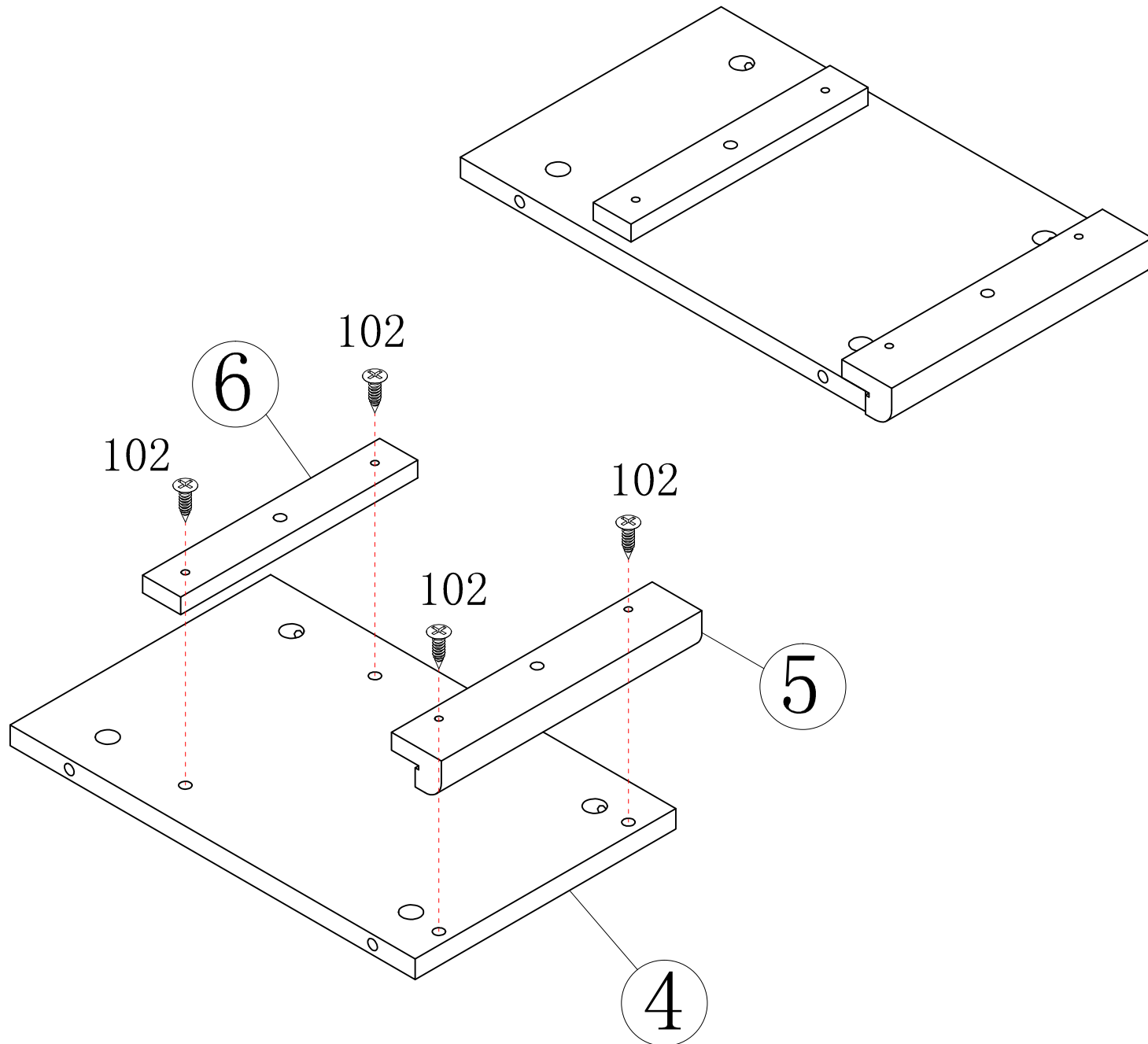
fraser185-270 extension TV Unit

102X4




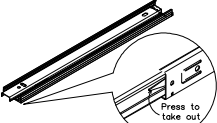
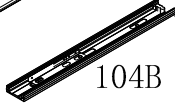
Φ 4X25mm

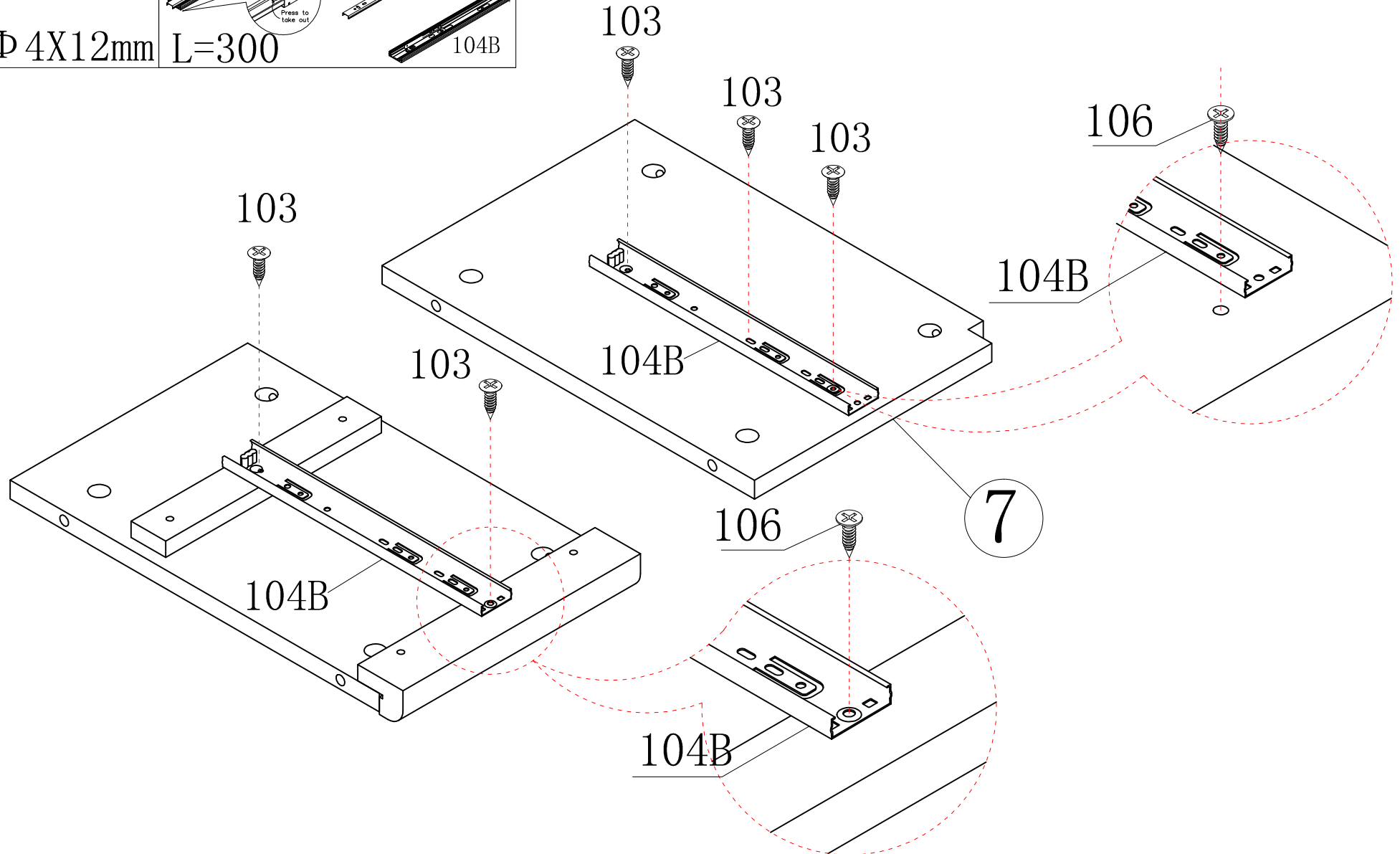
2



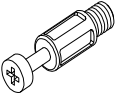
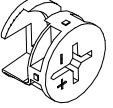
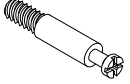

fraser185-270 extension TV Unit

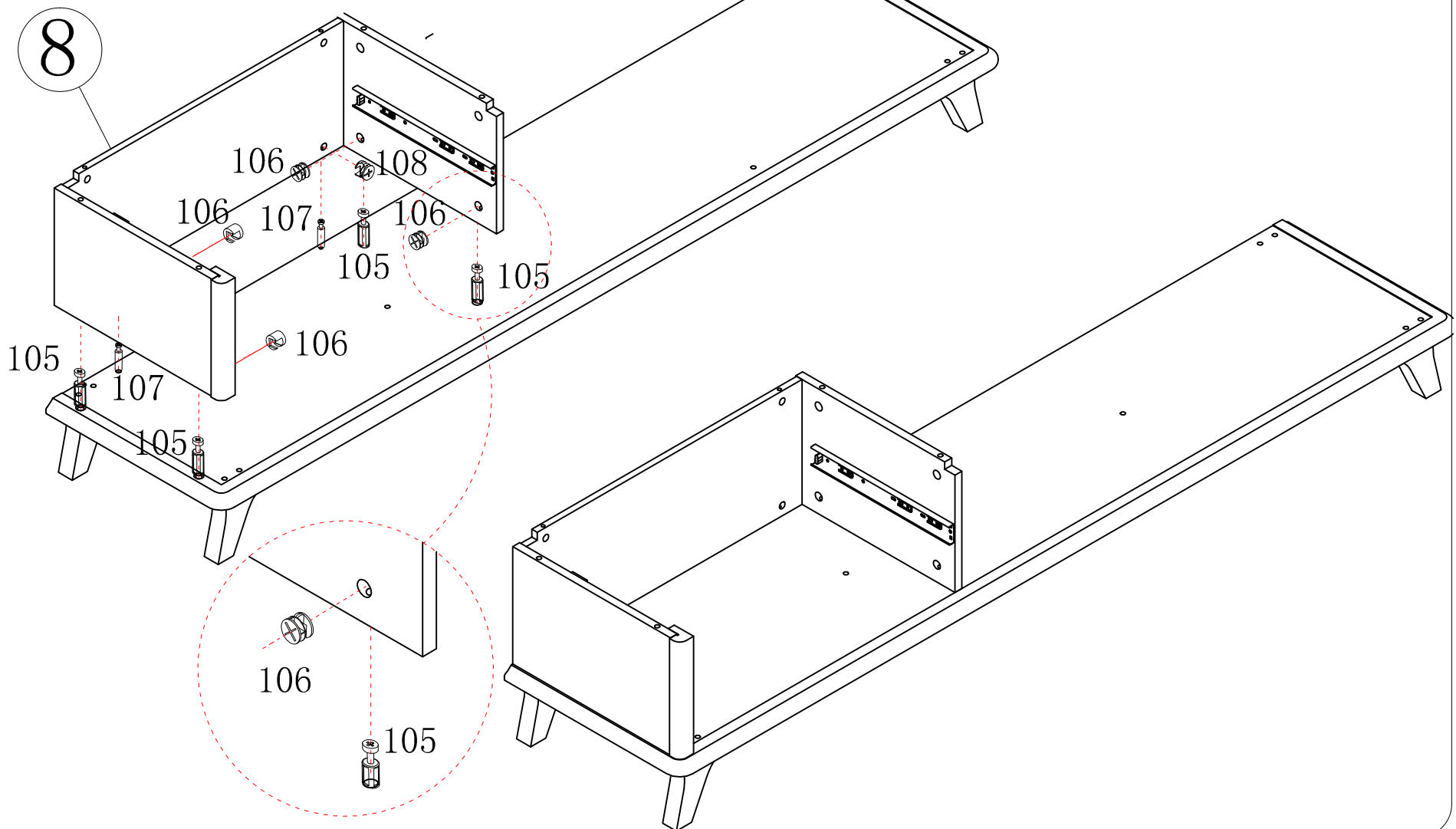
3

103X5	104X1
	 104A
$\Phi 4 \times 12 \text{mm}$	L=300  104B



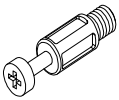
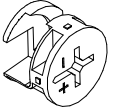
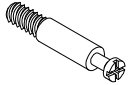

fraser185-270 extension TV Unit

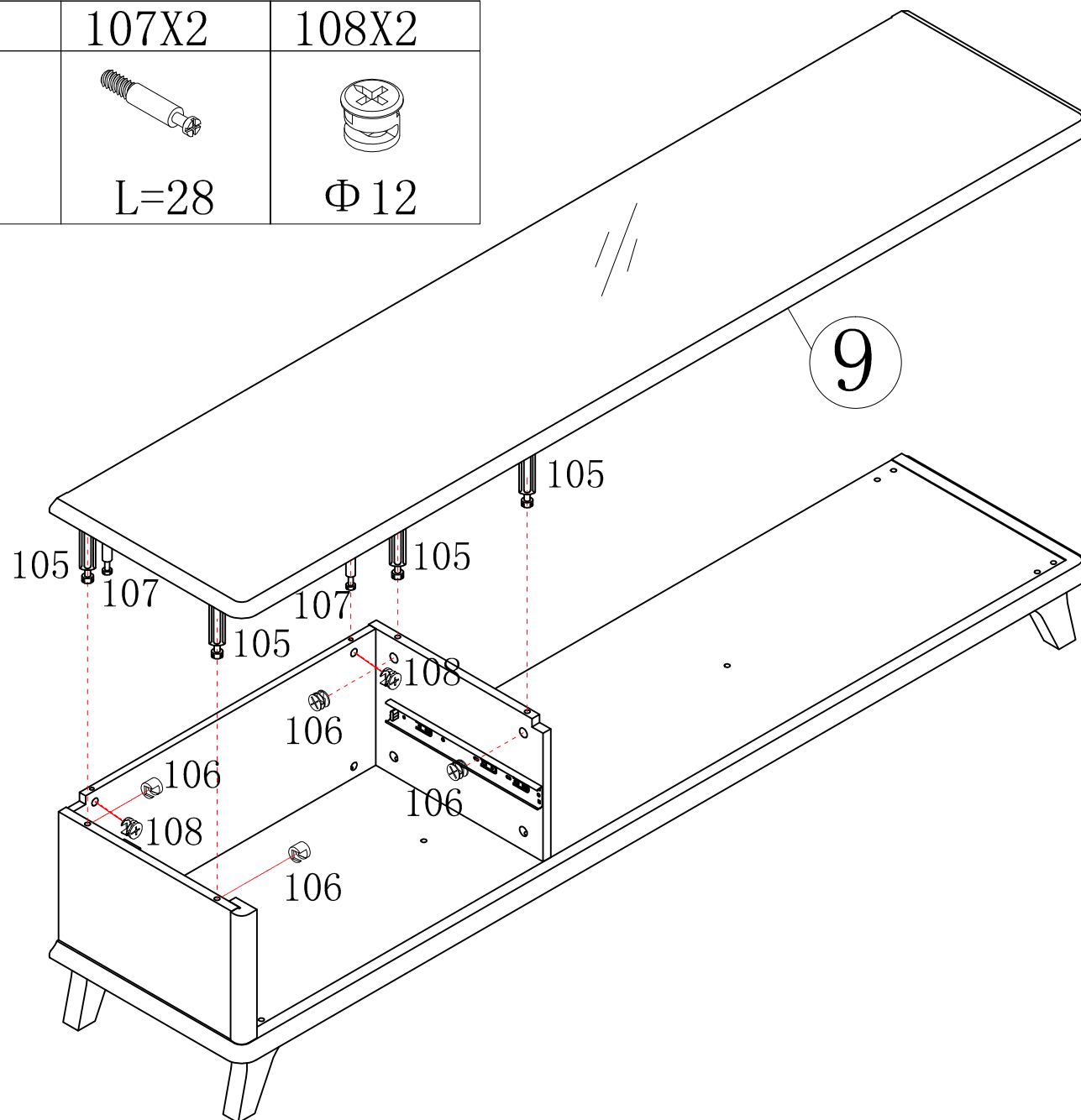
105X4	106X4	107X2	108X2
			
L=40	Φ 15	L=28	Φ 12



fraser185-270 extension TV Unit

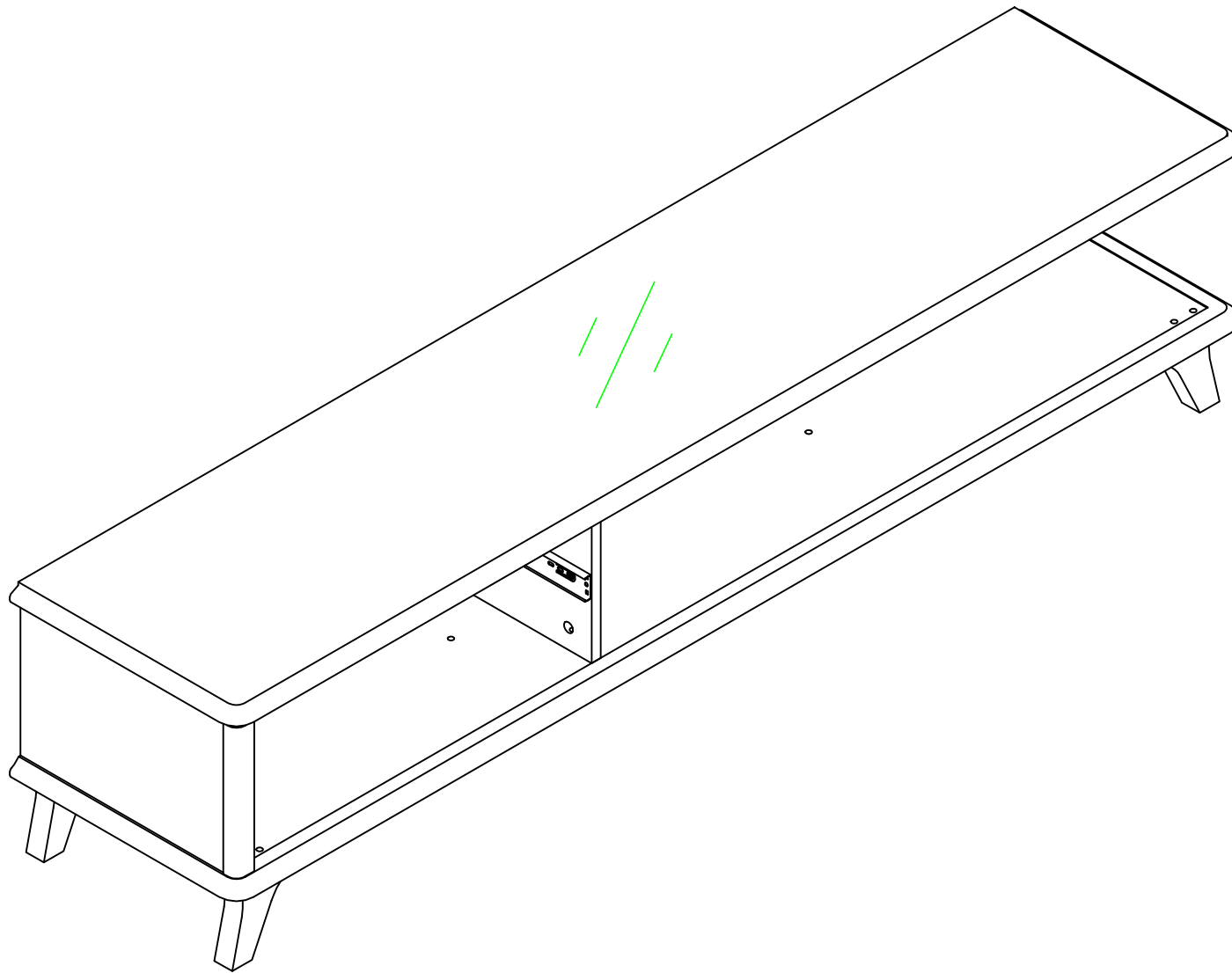
5

105X4	106X4	107X2	108X2
			
L=40	Φ 15	L=28	Φ 12



fraser185-270 extension TV Unit

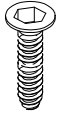
6



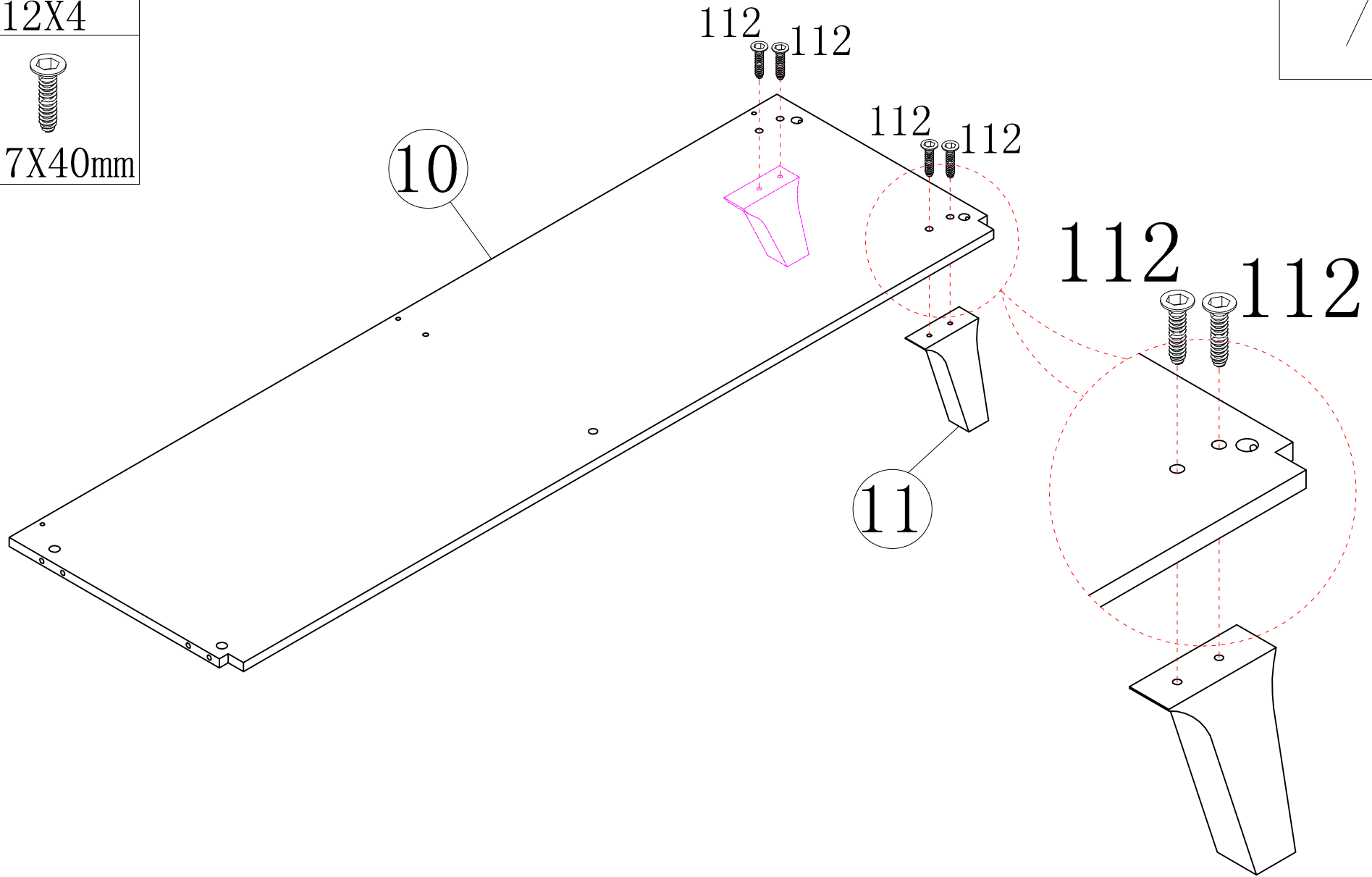
fraser185-270 extension TV Unit

7

112X4



Φ 7X40mm

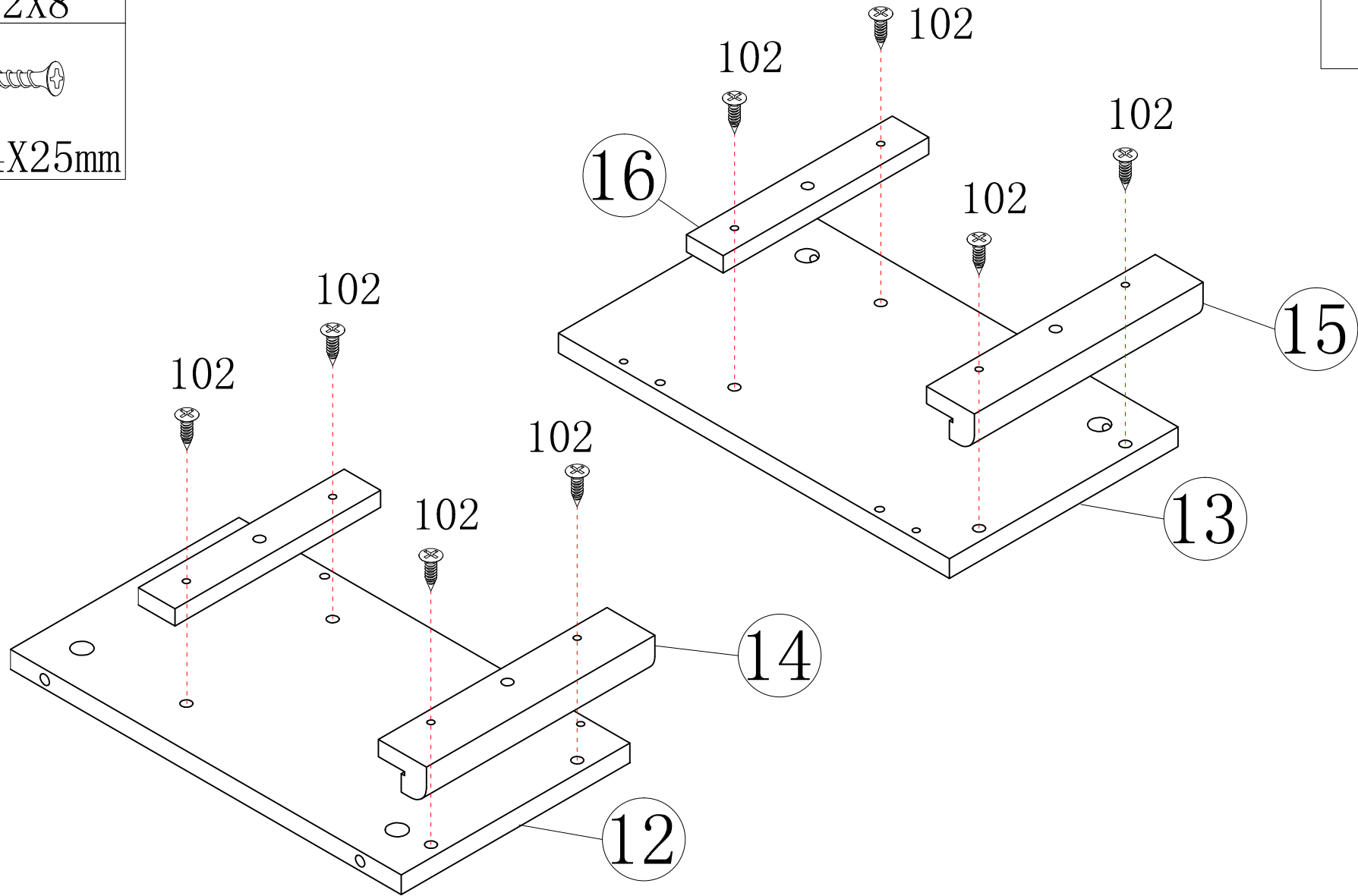
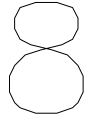


fraser185-270 extension TV Unit


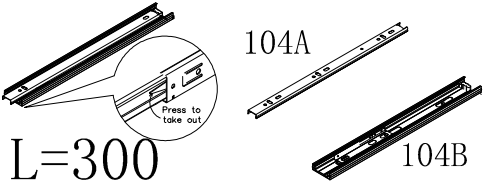
102X8

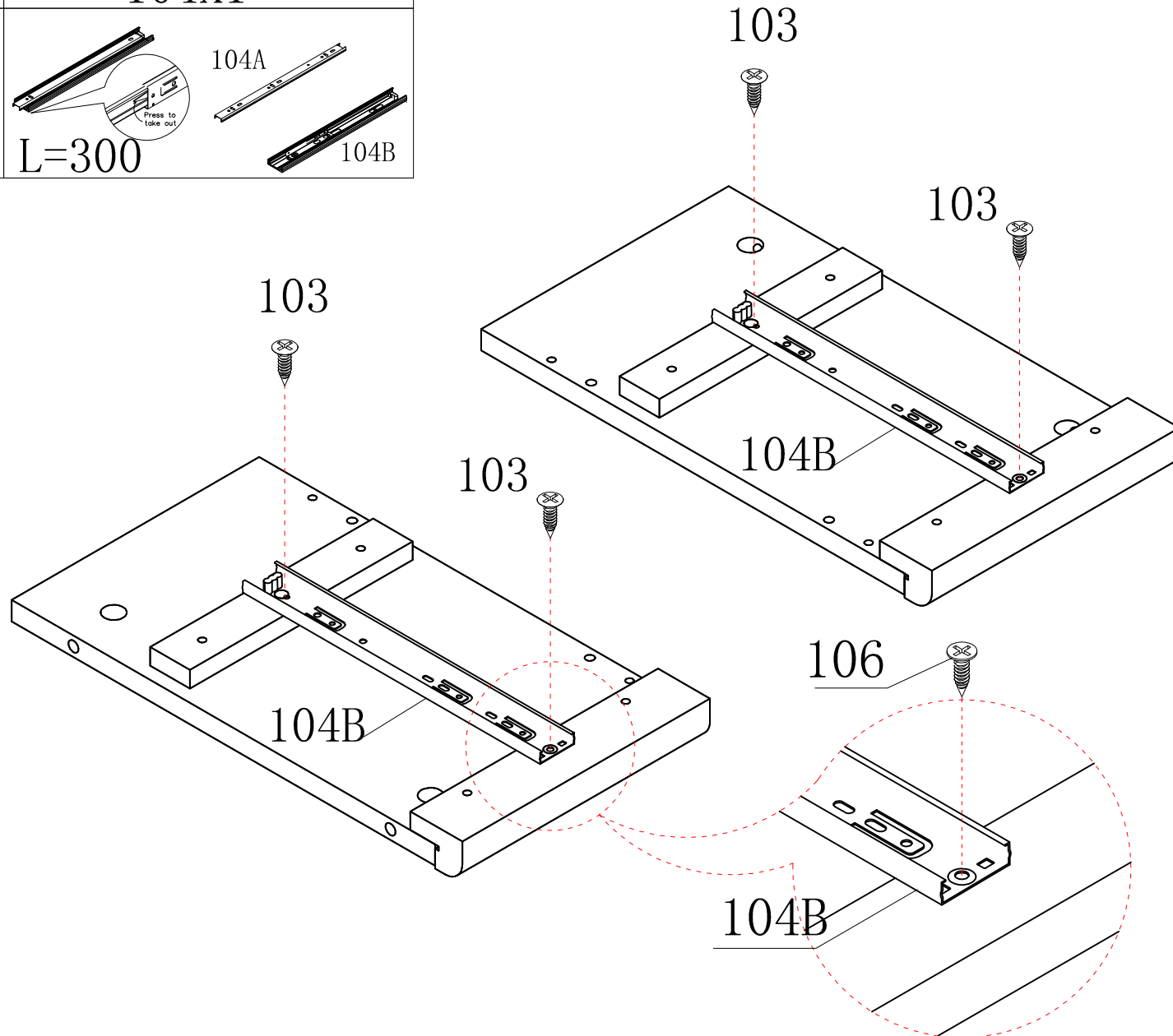


Φ 4X25mm




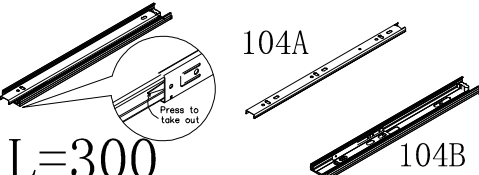
fraser185-270 extension TV Unit

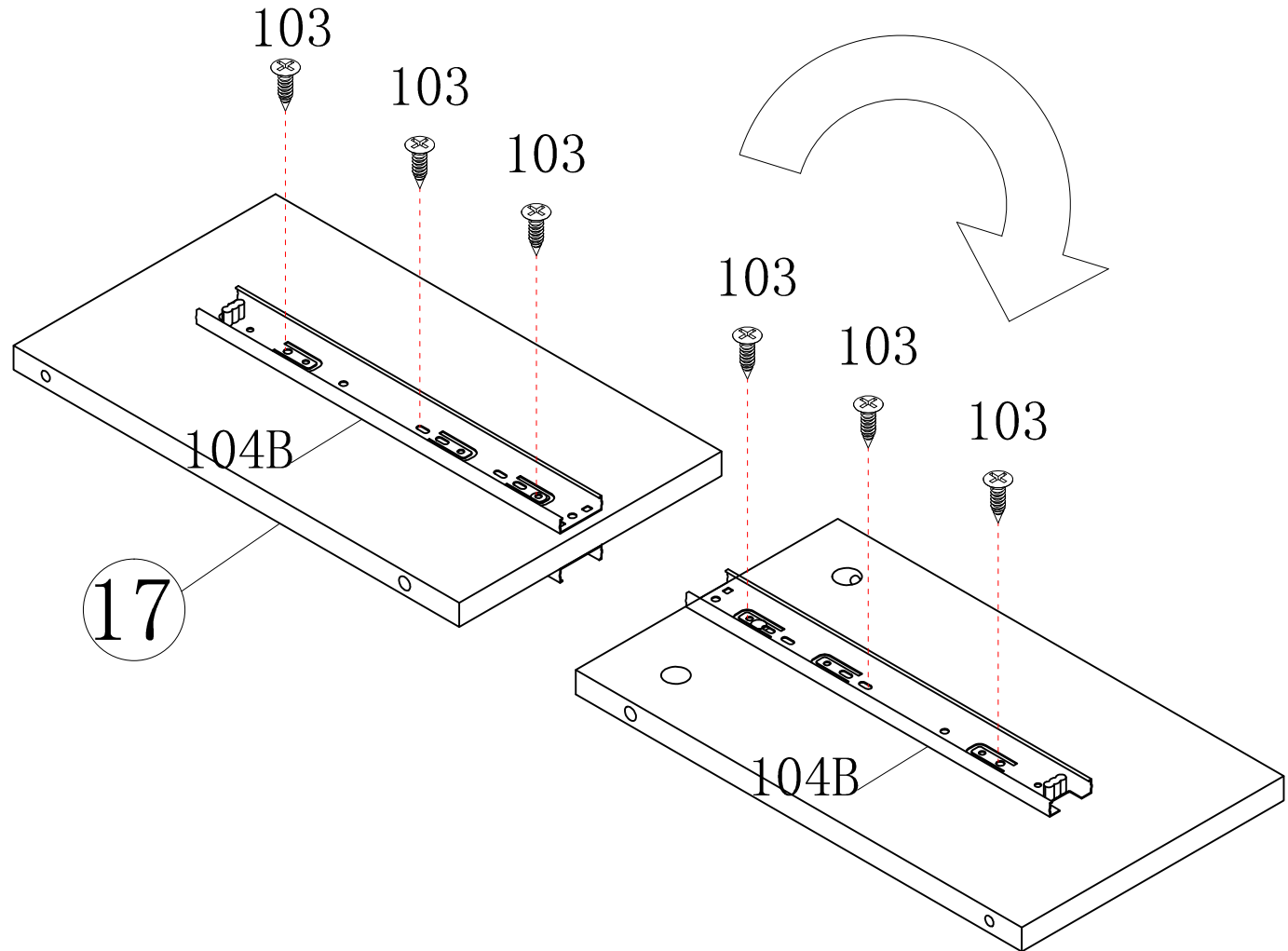
103X4	104X1
 $\Phi 4 \times 12 \text{mm}$	 L=300



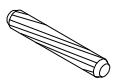

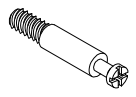
fraser185-270 extension TV Unit

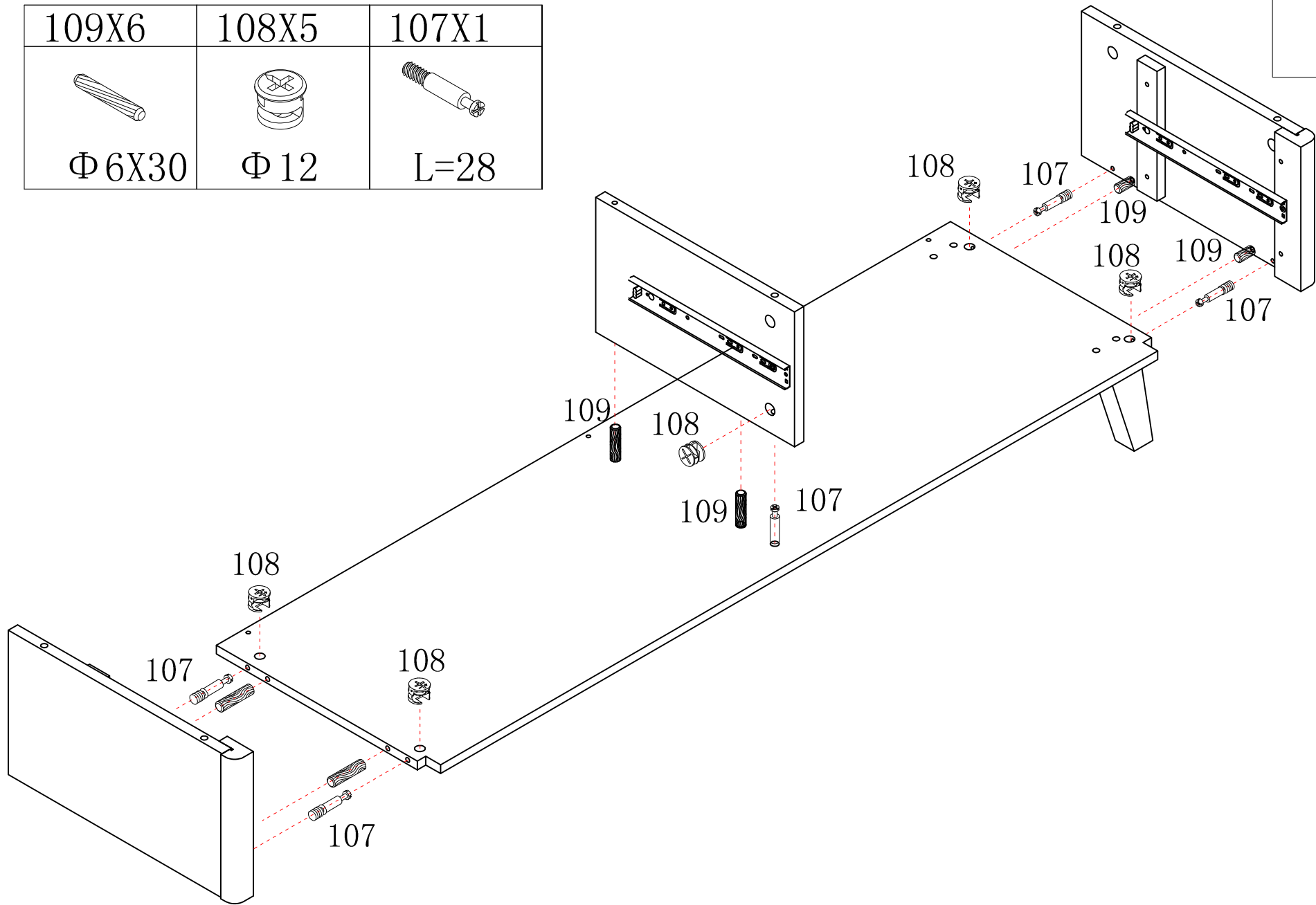
10

103X6	104X1
 $\Phi 4 \times 12 \text{mm}$	 L=300

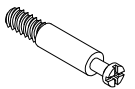
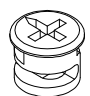


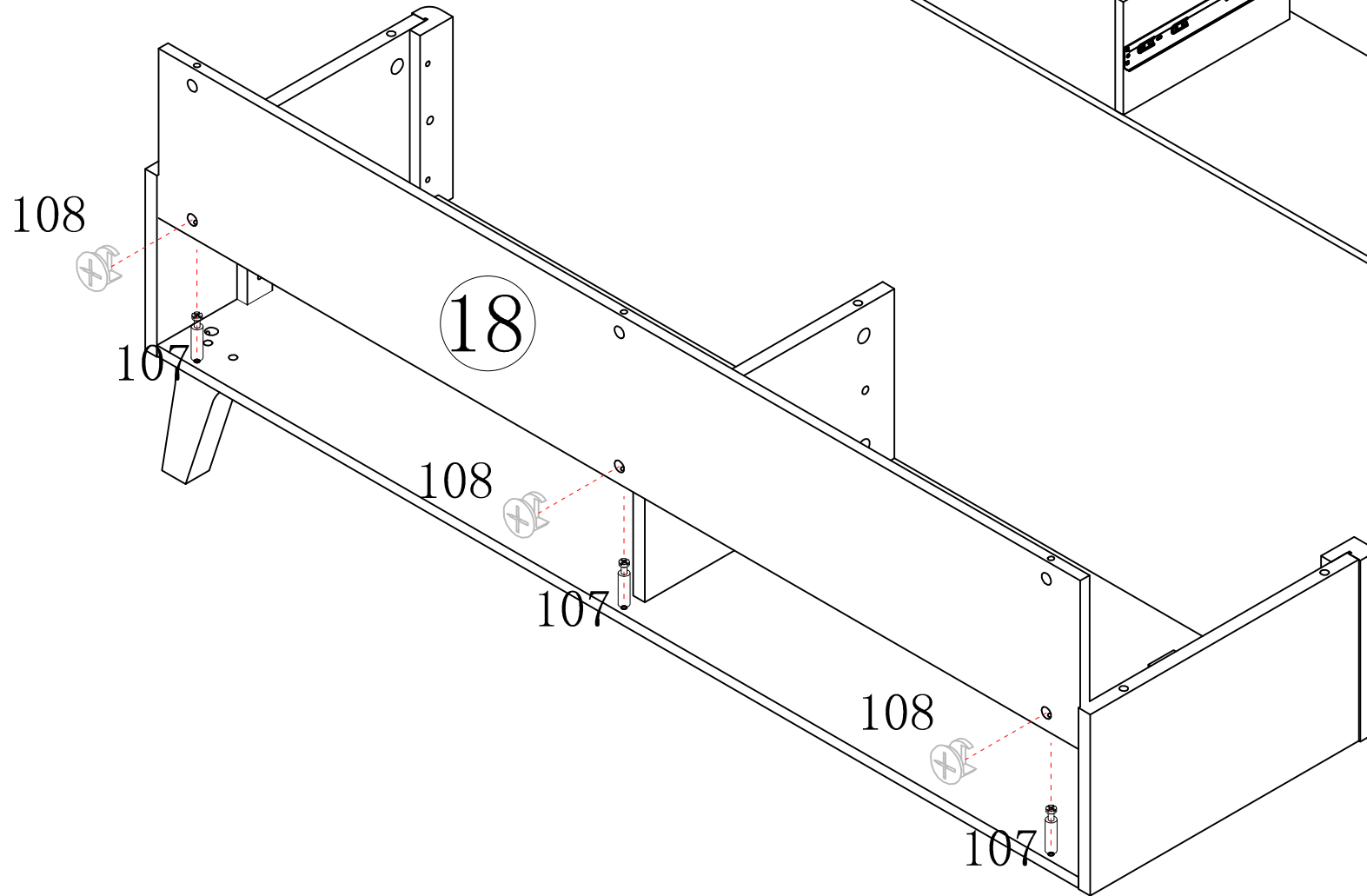
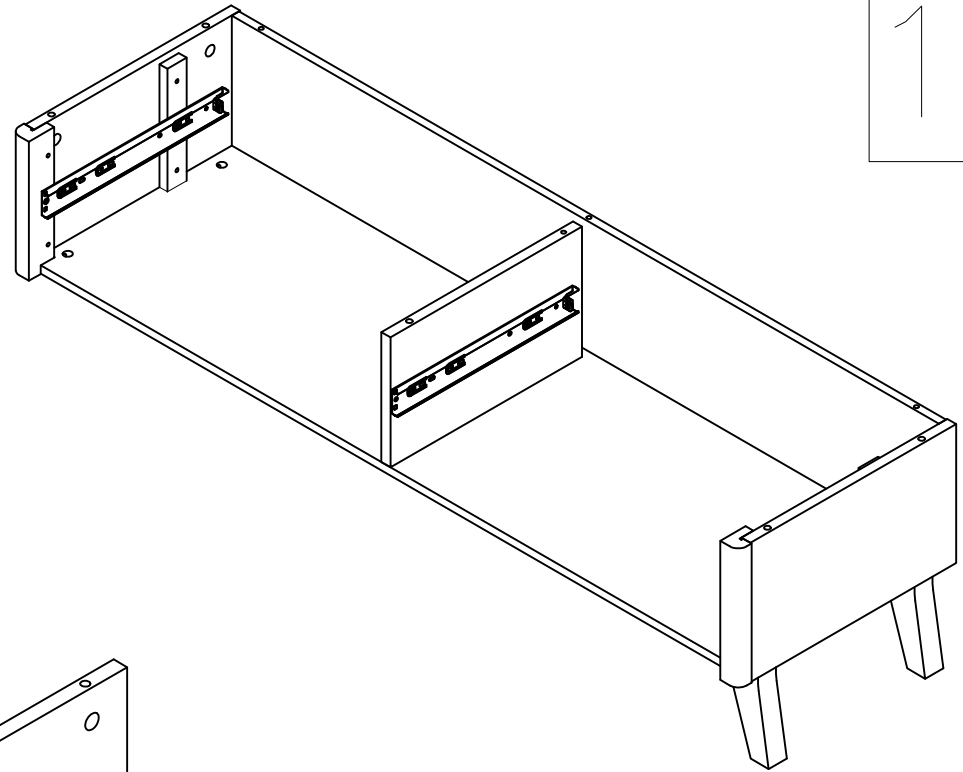
fraser185-270 extension TV Unit

109X6	108X5	107X1
		
$\Phi 6 \times 30$	$\Phi 12$	L=28



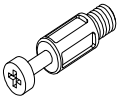
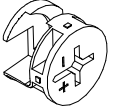
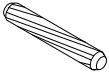
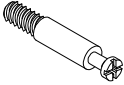

fraser185-270 extension TV Unit

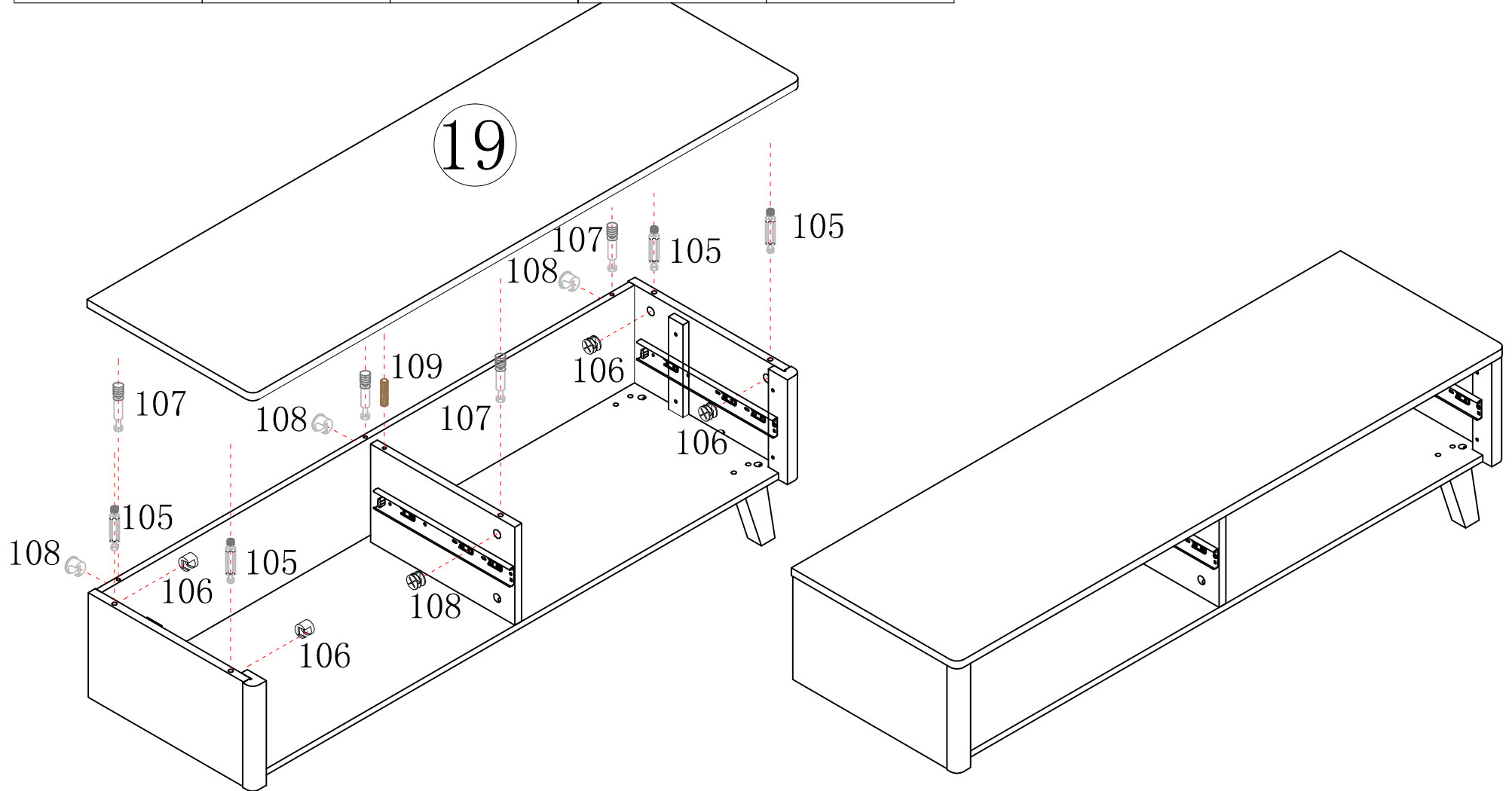
107X3	108X3
	
L=28	Φ 12



fraser185-270 extension TV Unit



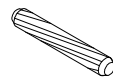
13

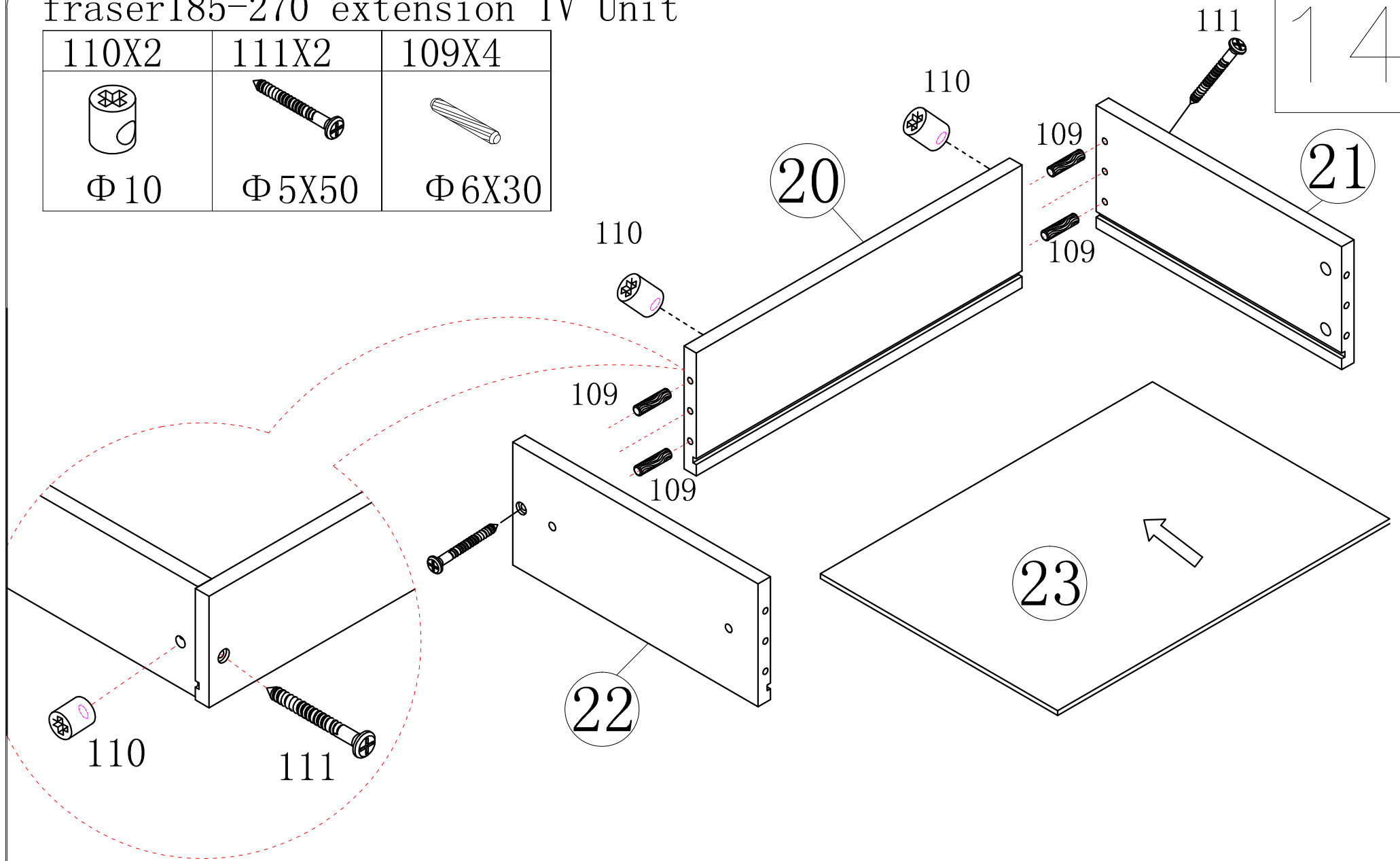
105X4	106X4	109X1	107X4	108X4
				
L=40	Φ 15	Φ 6X30	L=28	Φ 12




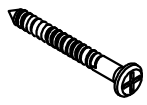
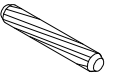
fraser185-270 extension TV Unit

14

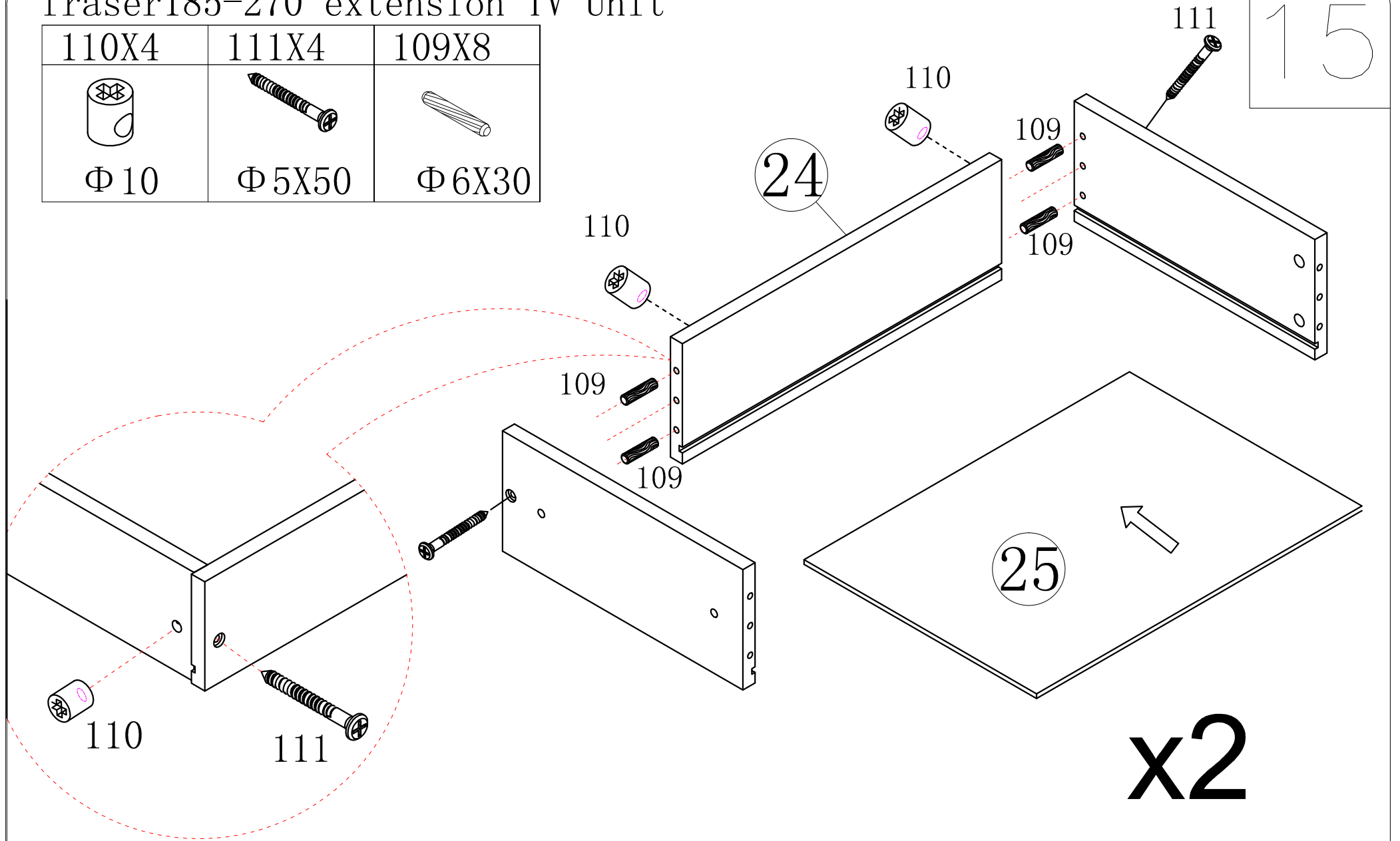
110X2	111X2	109X4
		
Φ 10	Φ 5X50	Φ 6X30



fraser185-270 extension TV Unit

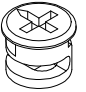
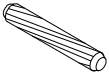
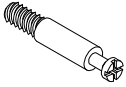
110X4	111X4	109X8
		
Φ 10	Φ 5X50	Φ 6X30

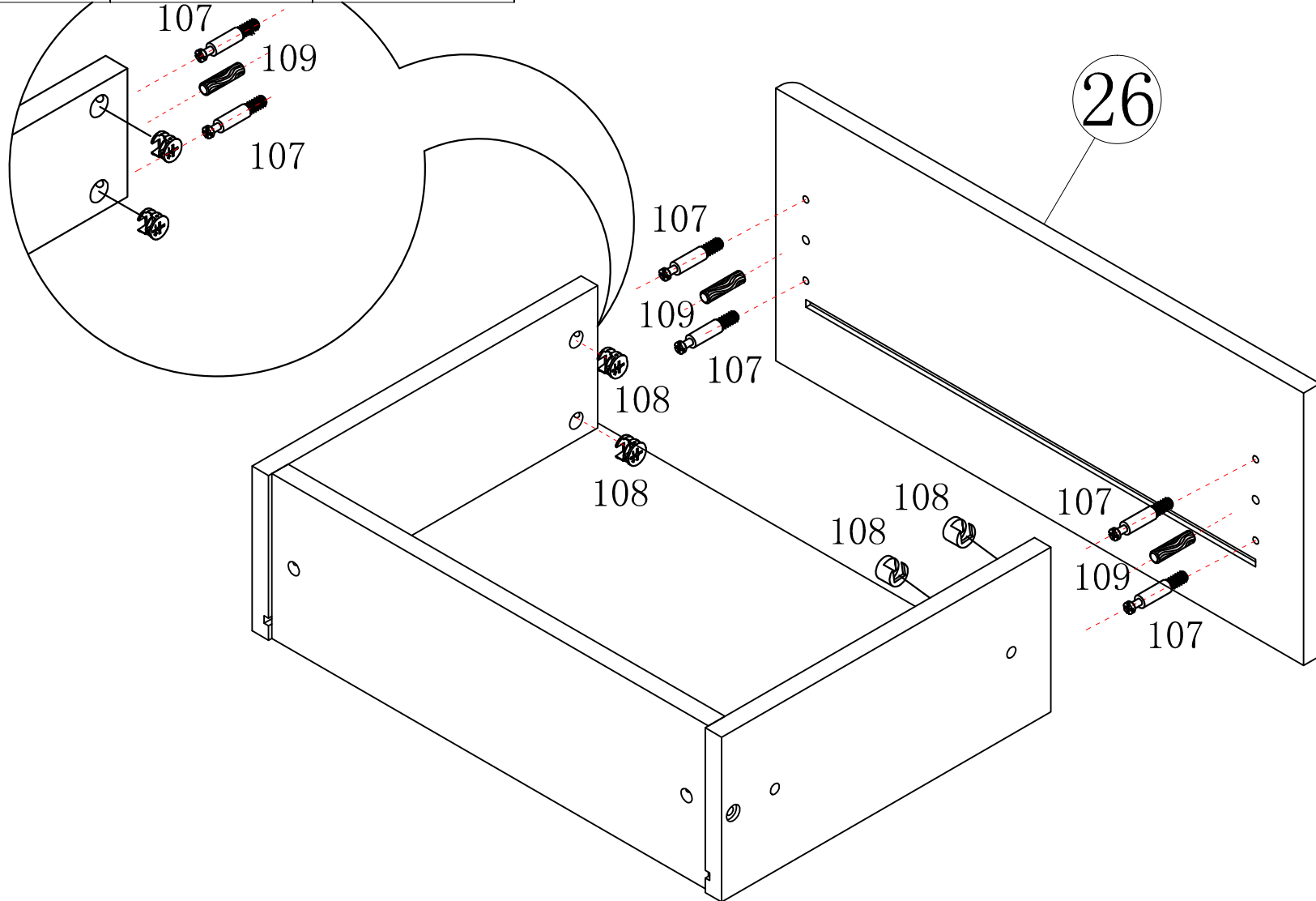
15



fraser185-270 extension TV Unit


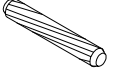
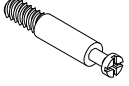
16

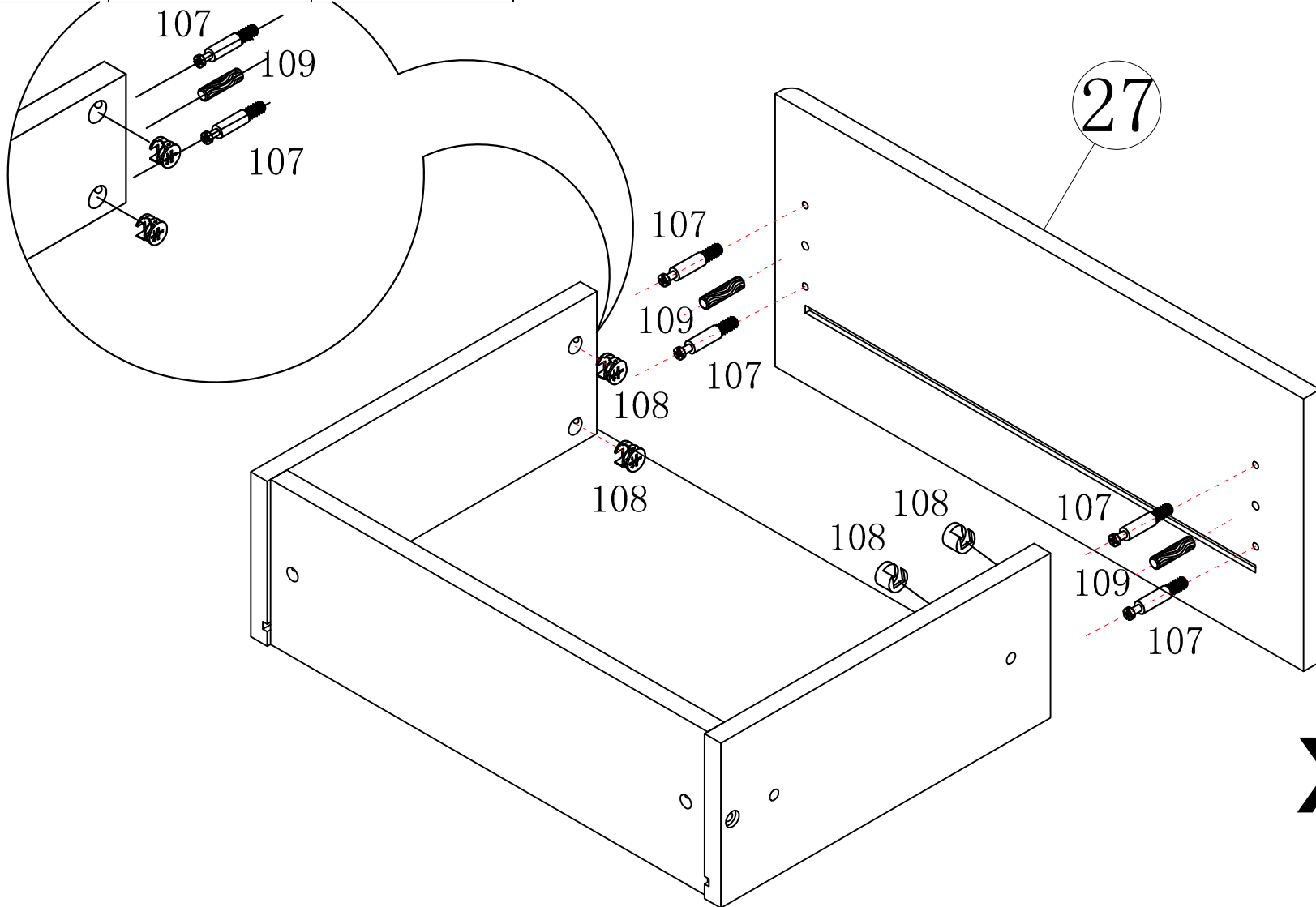
108X4	109X2	107X4
		
$\Phi 12$	$\Phi 6 \times 30$	L=28



fraser185-270 extension TV Unit

17

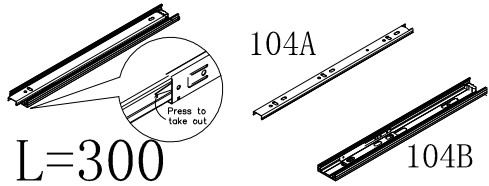

108X8	109X4	107X8
		
Φ 12	Φ 6X30	L=28

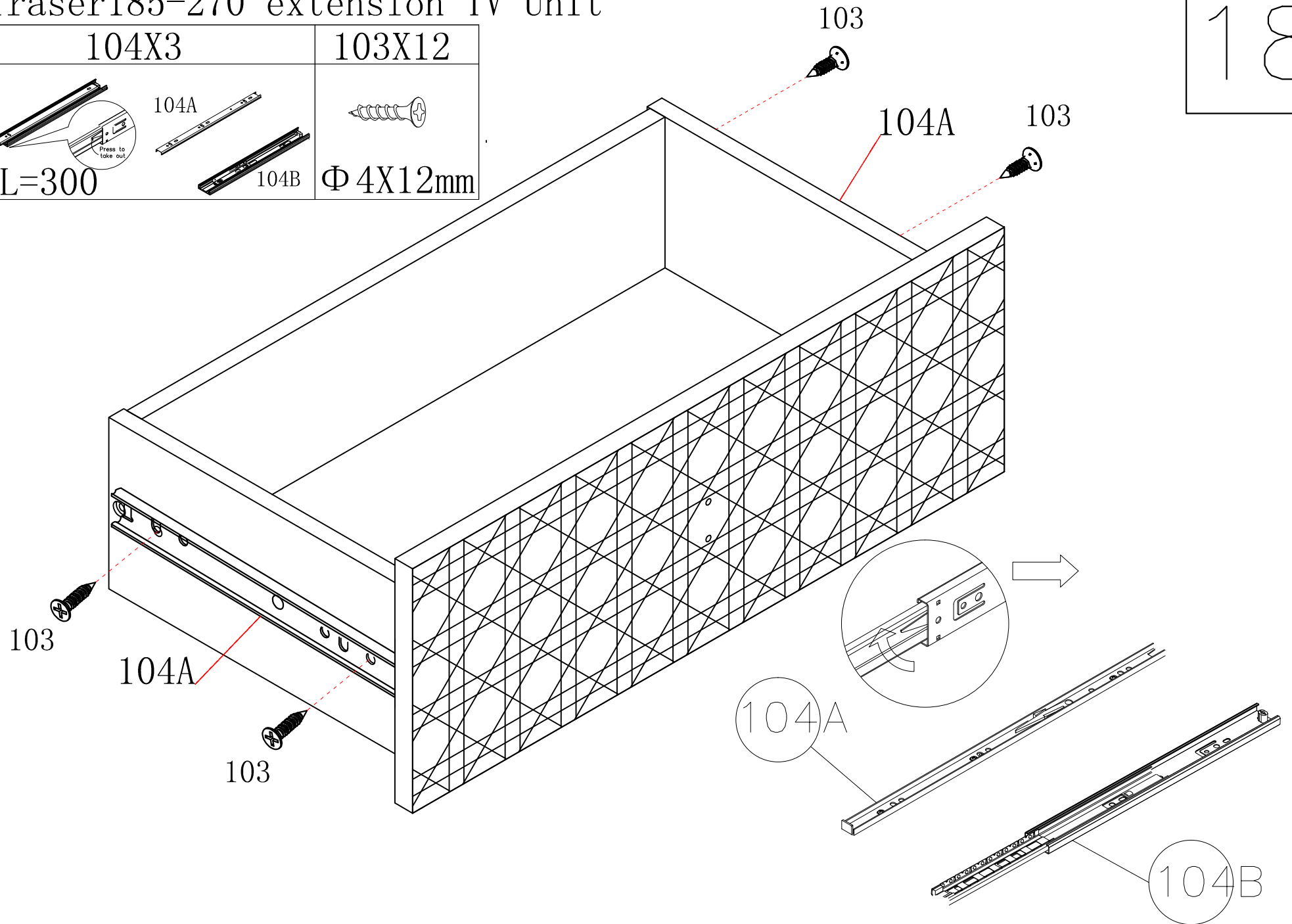


x2

fraser185-270 extension TV Unit



18

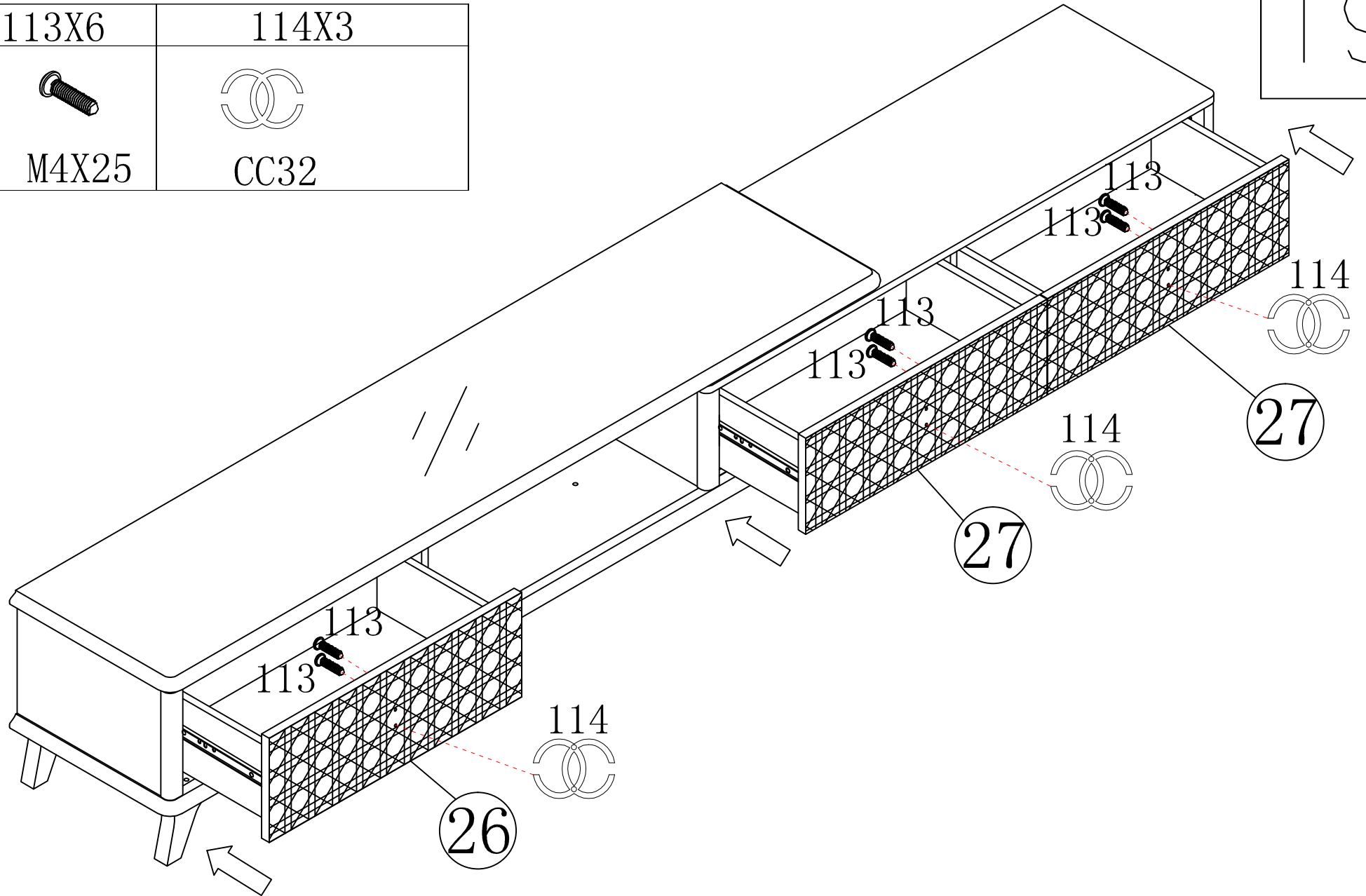
104X3	103X12
 <p>104A 104B L=300</p>	 <p>Φ 4X12mm</p>



fraser185-270 extension TV Unit

19

113X6	114X3
	
M4X25	CC32



fraser185-270 extension TV Unit

20

